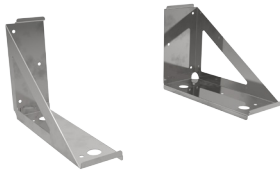


APS

AIR PURIFICATION SYSTEM



18010215



18009066



Franke Foodservice Solutions, Inc.
 800 Aviation Parkway
 Smyrna, TN 37167
 Tel +1-877-379-3769
 frankeamericas.com

Item #:
Project:
Quantity:

MODEL NUMBER(S)

APS300 Up to 2500 Cubic Feet

PRODUCT OVERVIEW

Franke's ozone-UV Air Purification System continuously sanitizes the air in walk-in coolers. It eliminates chemicals that cause over-ripening of fruits and vegetables, eliminates flavor transfer among foods and minimizes waste, keeping fruits and vegetables fresh.

STANDARD PRODUCT FEATURES

- Commercial grade, 304 stainless steel construction
- Standoff bumpers, front and side
- Front Mounted 3A "push-to-reset" circuit breaker
- Front mounted on/off switch
- Indicator light; shown current functionality of unit and UV bulbs
- Audible reminder to exchange UV bulb
- 6' / 1.8m (L) electrical cord
- Warranties: 1 year parts, 1 year labor, excludes UV bulbs
- UV bulbs warranty 90 days, excluding breakage

CAPACITY

Model	Walk-In Refrigerator Cubic Feet/Units Required		
APS300	1000-2500	2500 -5000	5000-7500
	1 Unit	2 Units	3 Units

ACCESSORIES

- 18010215 Ozone and UV bulbs replacement set for Franke APS300
- 18009066 Mounting Kit

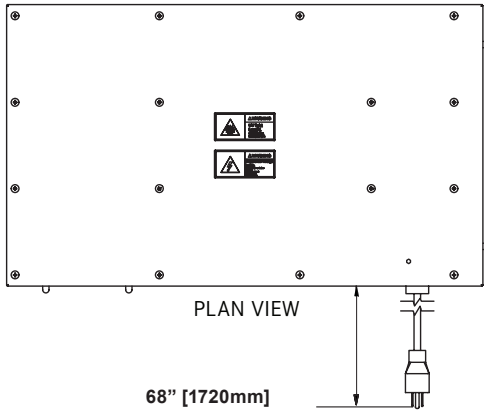
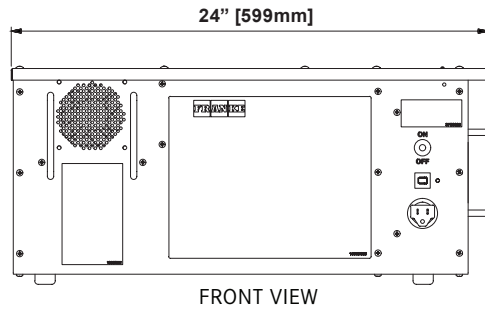
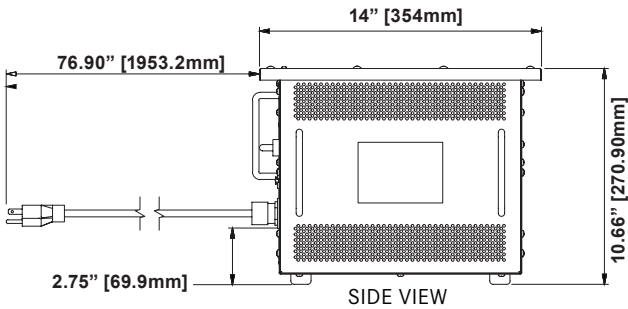
Approval _____


Make it Wonderful



APS300

APS - AIR PURIFICATION SYSTEM



DIMENSIONS	Width	14"	354mm
	Depth	24"	599mm
	Height	11"	271mm
ELECTRICAL	Voltage	120	
	Phase	1	
	Amps (by phase)	2.0 Max	
	Watts (by phase)	240 Max	
	Unswitched Circuit	 NEMA 5-15R	
WEIGHT	Unit	25lbs	
	Total Shipping Weight	30 lbs	
SHIPPING	Number of Cartons/Crates	1	
	FOB	Fayetteville, TN 37334	
	Freight Class	Ships via UPS	

SHORT-FORM SPECIFICATIONS: Model No. APS300, measuring 13.95" L by 23.60" W by 10.66" H and requiring 120/60/1 at 2.0A maximum, supplied by 120V/15A NEMA 5-15 receptacle on unswitched outlet. Shall include 304 stainless steel body, front-mounted on/off switch, 6 ft. electrical cord with plug, LED status indicator lamp, 3A push-to-reset circuit breaker, audible lamp replacement reminder, and front and side standoff bumpers. Shall include 90 day warranty on UV bulbs excluding breakage, and 1 year parts and 1 year labor warranty. Provide options and accessories as indicated.

MISCELLANEOUS

Sits on existing shelf. Must be mounted as high as possible



Scan QR code to visit the Franke Resource Center.

© 2016 Franke Foodservice Solutions, Inc. - This media is the confidential and proprietary property of Franke Foodservice Systems, Inc. and shall not be reproduced in any form of media without the express written permission of a Franke representative. Due to continuous product development, Franke reserves the right to make changes in design and specifications without prior notice. Under license Franke Technology and Trademark Ltd., Switzerland. Printed in USA.

Make it Wonderful

